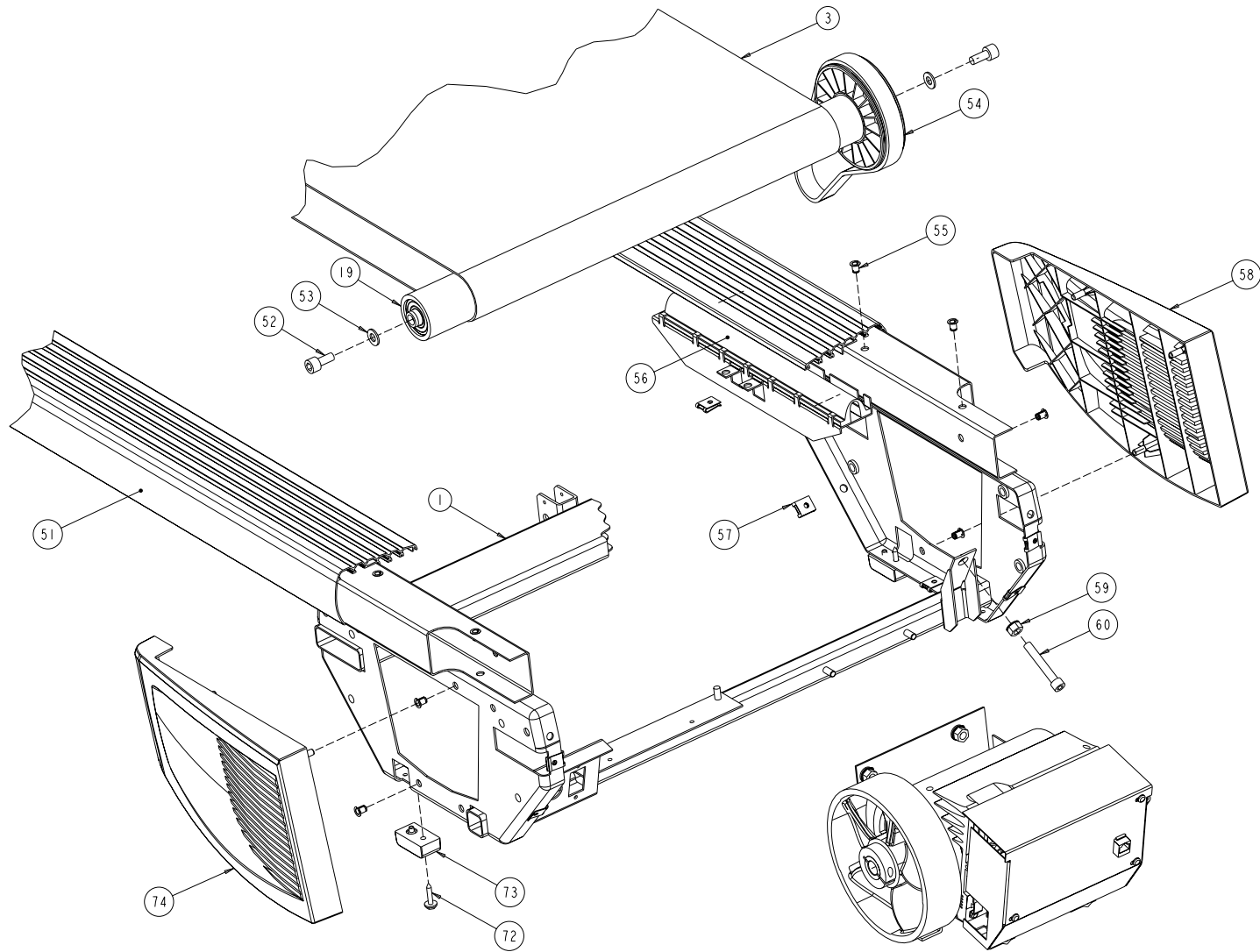
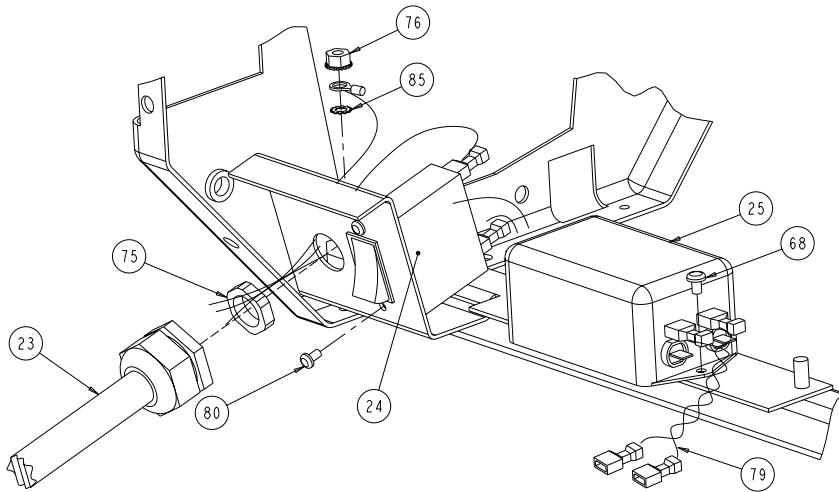


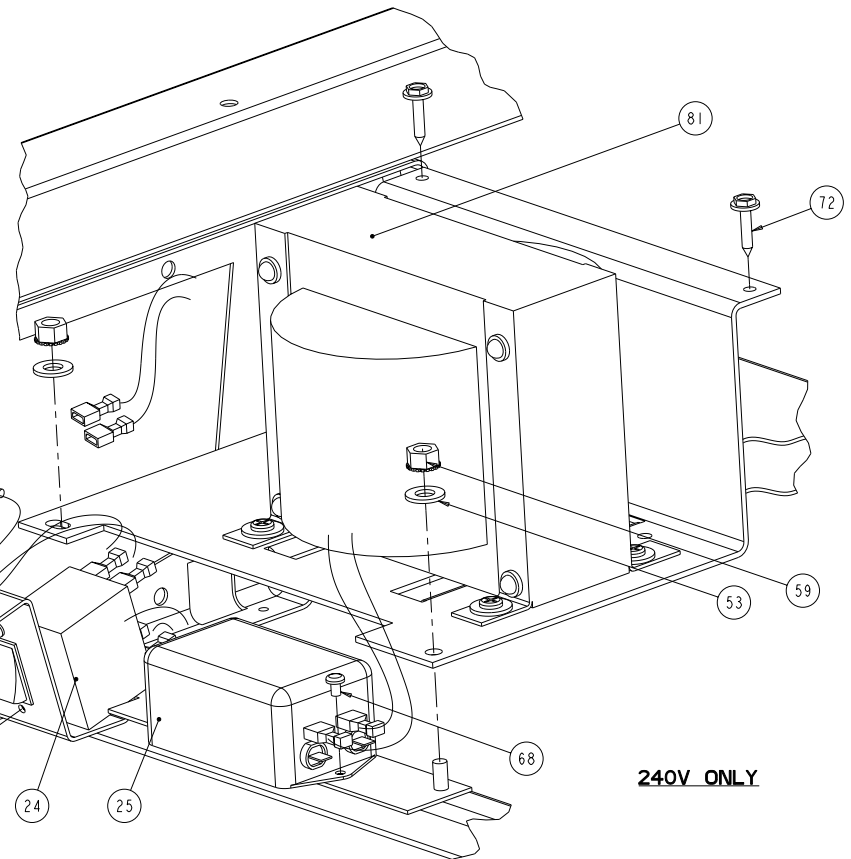
9.17 / 9.17si	P/N: 40175-101	REV: B
DRAWN BY: M.HAMILTON	DATE: 6.25.99	SHEET: 1 OF 6



9.17 / 9.17si	P/N: 40175-101	REV: B
DRAWN BY: M.HAMILTON	DATE: 6.25.99	SHEET: 2 OF 6

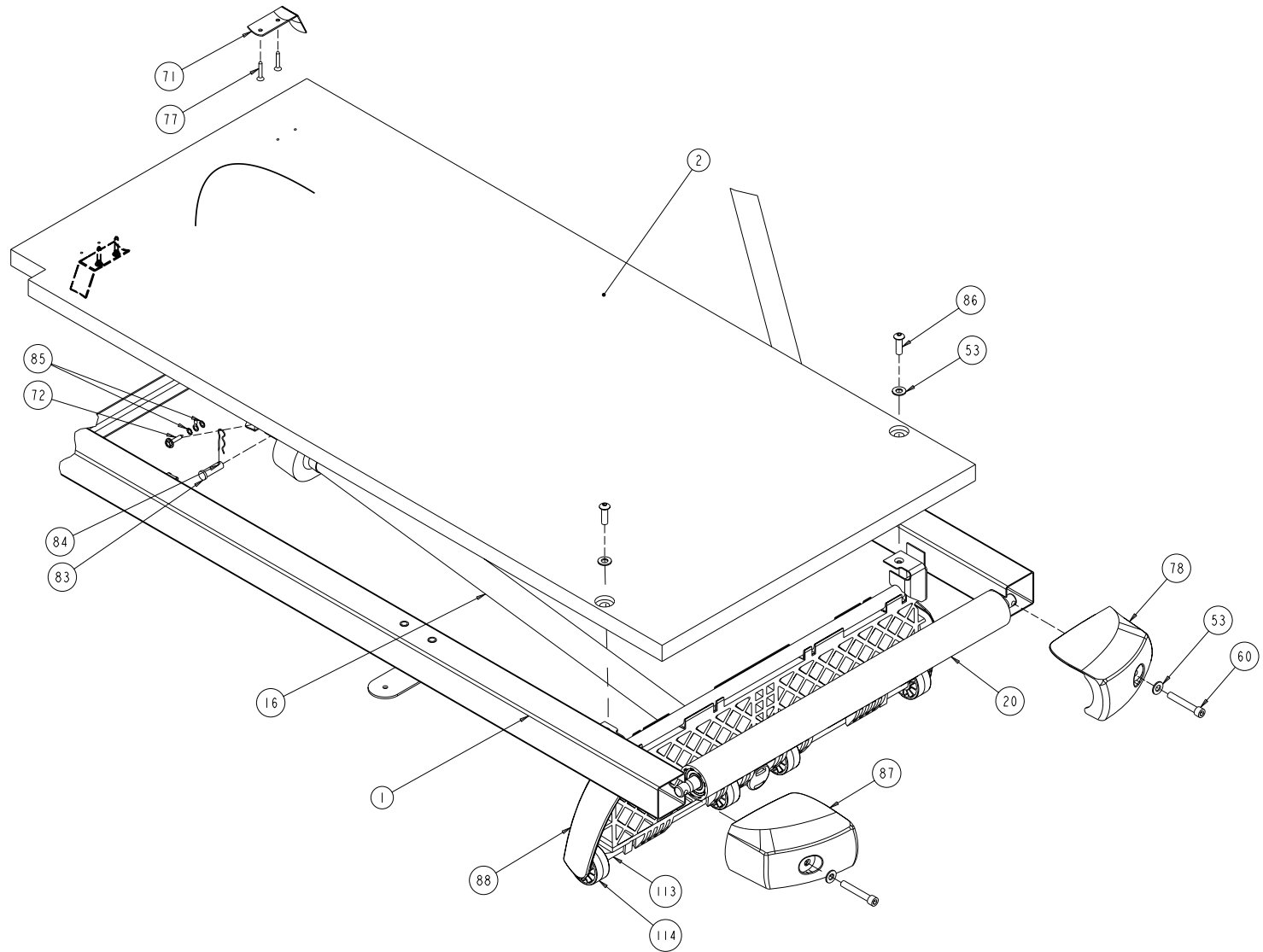


120V ONLY




240V ONLY

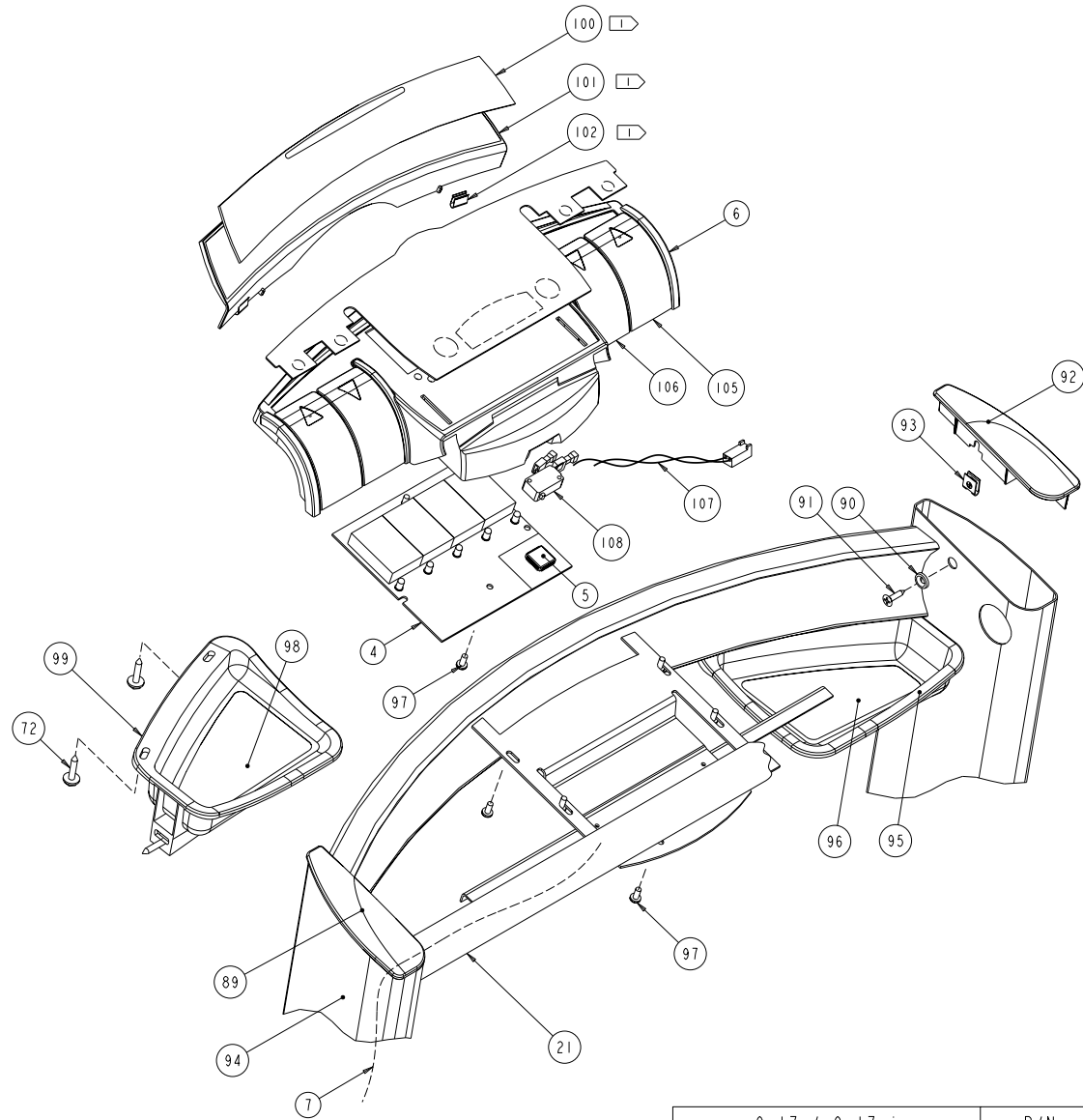
9.17 / 9.17si	P/N: 40175-101	REV: B
DRAWN BY: M.HAMILTON	DATE: 6.25.99	SHEET: 3 OF 6



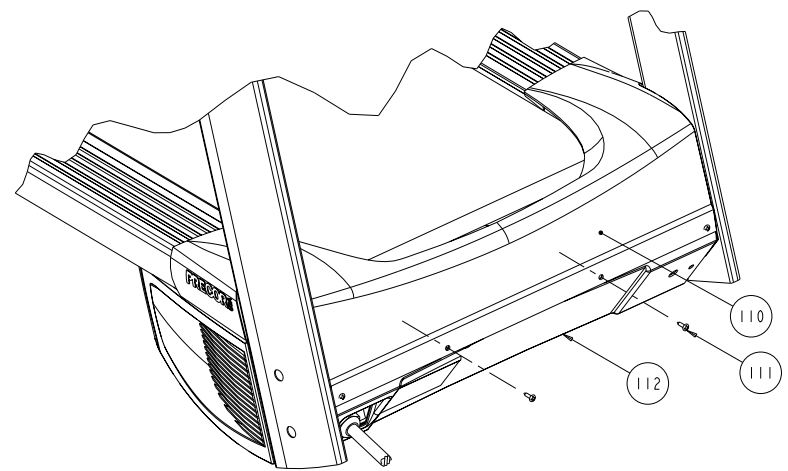
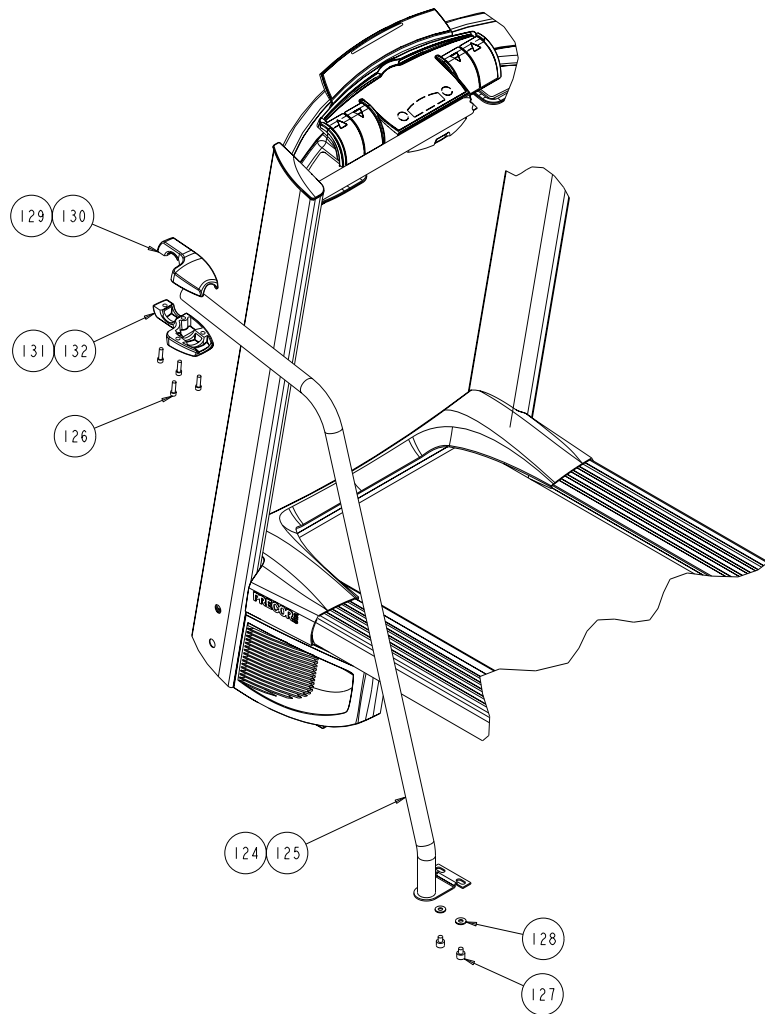
9.17 / 9.17si	P/N: 40175-101	REV: B
DRAWN BY: M.HAMILTON	DATE: 6.25.99	SHEET: 4 OF 6

NOTES:

 9.17si ONLY



9.17 / 9.17si	P/N: 40175-101	REV: B
DRAWN BY: M.HAMILTON	DATE: 6.25.99	SHEET: 5 OF 6



9.17 / 9.17si	P/N: 40175-101	REV: B
DRAWN BY: M.HAMILTON	DATE: 6.25.99	SHEET: 6 OF 6

9.17 (serial code 5B)

Part Number	Description	Bubble Number
39370-101	52.21ASSY,DECK	2
38133-101	RUNNING BELT,SINGLE PLY	3
38950-101	PCA,DISPLAY,R2,1.5 LED	4
39352-103	PROM,DISPLAY,U2,9.17	5
38103-101	ASSY,DISPLAY,9.17	6
44905-072	ASSY,CBL,MOD,8P8C,1-1,72"	7
38119-105	ASSY,CBL,RJ45,DATA,6"	8
38403-105	ASSY,LOWER,ELEC	9
42949-102	ASSY, PCA&SW, 9.17,LWR	9.01
50990-101	MOTOR AND FLYWHEEL,BALANCED	10
38410-101	SENSOR DISK	12
38102-104	MOTOR,LIFT ACTUATOR,700#	16
39343-101	ASSY,DRIVE ROLLER,9.17	19
38584-101	ASSY,TAKE-UP ROLLER,9.17	20
38096-102	HANDLE BAR	21
45676-113	ASSY, LINE CORD, 120V, 15A , 113" L	23
11456-101	CKT BRKR,250V,20A,1 POLE,ULTRA	24
11224-102	FILTER,PWR LINE,250VAC,16A	25
38097-101	TRIM,SIDE RAIL	51
CAKN031-075	SCREW,SKHD,5/16-18X0.75,BLK ZN,LK	52
WBKN031-007	WASHER, FLT, 5/16, ID=.344,	53
10217-115	BELT,DRIVE,POLY-V,215J8	54
11432-101	FASTENER,TINNERMAN,TUBULAR,	55
38136-102	SPRING,BED,9.17/9.17S	56
10136-101	CLIP, U TYPE, TINNERMAN, #8	57
38088-101	FAN COVER,LEFT,9.17	58
KGCN031-027	LOCKNUT,STARWASHER,5/16-18,1/2	59
CFKN031-200	SCREW,SKHD,5/16-18X2,BLK ZN,LK	60
11431-101	RETAINING RING,SMALLEY #WSM-62	61
WNNN063-003	WASHER,SPECIAL,1.493X.629X.030	62
38099-202	PULLEY,MOTOR,MACHINED,9.17	63
WCCN025-007	WASHER, FLT, 1/4X.734X.065	64
HACN025-075	SCREW,1/4-20X3/4,HEX,GR 2,ZN	65
38137-101	ASSY,IDLER 9.17/9.17S	66
MGCN016-025	SCREW,MCH,8-32X1/4,PANHD,PHIL,	68
11415-101	COUPLER,MOD,8P8C,INLINE	69
WBNN025-007	WASHER, FLT, 1/4, ID= .281,	70
38175-105	BELT TRACKER	71
PKCN019-075	SCREW,S/T,#10X.75,WSHXHD,ZN	72
38422-102	RUBBER FOOT	73
38088-102	FAN COVER,RIGHT,9.17	74
10237-101	LOCKNUT, 7/8 ,NYLON,BLACK	75
KHCN019-013	LOCKNUT, STARWASHER, 10-32,	76
DCKN019-100	SCREW,WOOD #10X1, L=1.00	77
38086-106	END CAP,RIGHT,9.17	78
38112-102	ASSY,CBL,FILTER TO LPPCA,	79
MGKN013-025	SCREW,MCH,6-32X1/4,PANHD,PHIL,	80
10401-103	PIN, CLEVIS, 3/8 X 1.25, BLACK	83
10400-103	PIN, HITCH, .093 DIA, SILVER CAD, #	84
WANNN016-002	WASHER, LOCK, EXT TOOTH, #8	85

TAKN031-100	SCREW,BTHD,5/16-18X1,BLK ZN	86
38086-105	END CAP,LEFT,9.17	87
38104-101	PLATFORM,LIFT	88
38929-103	TARGA CAP, TOP,LEFT	89
WBCCN016-010	WASHER,#8 FINISHED	90
PABCN016-063	SCREW,#8 TAPPING,AB TYPE	91
38929-104	TARGA CAP, TOP,RIGHT	92
11434-101	FASTENER,TINNERMAN,U-TYPE	93
38084-204	WELDMENT,TARGA,9.17/9.17S,PT	94
38421-104	ACCESSORY TRAY,9.17,RIGHT	95
39387-204	TRAY,ACCESSORY,RIGHT,PT	95
38025-501	LABEL,CAUTION	96
PMKN016-038	SCREW,TCS,#8X3/8,PHIL,BLK ZN	97
39313-501	LABEL,SELECT,9.17	98
38421-103	ACCESSORY TRAY,917,LEFT	99
39387-203	TRAY,ACCESSORY,LEFT,PT	99
38182-101	KEY,UP,9.17	105
38182-102	KEY,DOWN,9.17	106
38424-101	ASSY,FAILSAFE CORD,9.17	109
38087-101	FRONT COVER,9.17	110
PTKN016-075	SCREW,QUADREX DRIVE,#8,L=3/4,	111
39636-105	ASSY,LOWER COVER,9.17 120V	112
38105-102	LIFT AXLE	113
38177-101	WHEEL	114
MGKN011-038	SCREW,MCH,4-40X3/8,PANHD,PHIL,	115
PBCN016-050	SCREW,S/T,#8X1/2,PANHD,PHIL,ZN	116
CFKN031-250	SCREW,SKHD,5/16-18X.375,BLK ZN,LK	119
40181-101	GUARD, FLYWHEEL	120
38420-101	ASSY,CBL,BREAKER TO LINE	122
40223-101	CAP, LIFT TUBE	124
WALCN031-008	WASHER, 5/16 SPLIT LOCK, ZINC	125
11075-105	FUSE,2.00A,250VAC,SLOW,RADIAL	200
11075-040	FUSE,400MA,250VAC,SLOW,RADIAL	201
38128-501	KIT,HARDWARE,9.17/9.17SI	202
38121-101	SHIPPER,BOTTOM	203
38122-101	SHIPPER, TOP	204
38123-102	SHIPPER,CROSS SUPPORT	205
38132-101	ASSY,SHIPPER	208
20002-110	BRUSH, MOTOR (YP00532)	209
20038-102	SPRING, MOTOR BRUSH,	210
40182-101	SPACER, TARGA	211
42817-102	OWNER'S MANUAL, 9.17	250
20002-110	BRUSH, MOTOR (YP00532)	990
42818-102	KIT, LITERATURE, 9.17	999